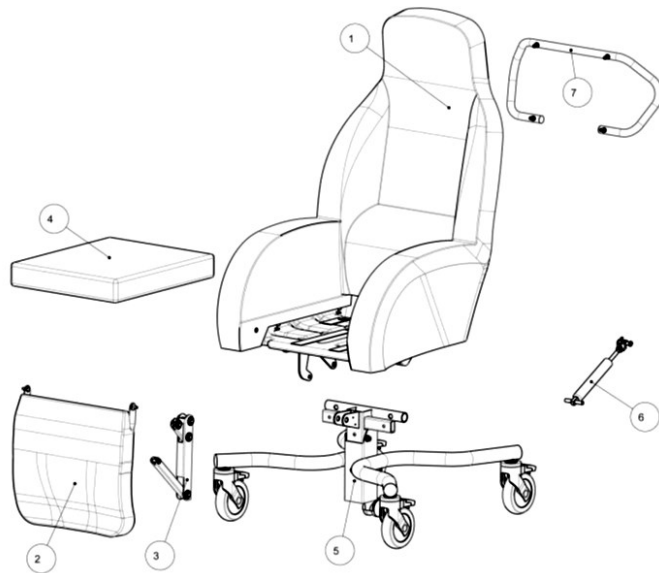
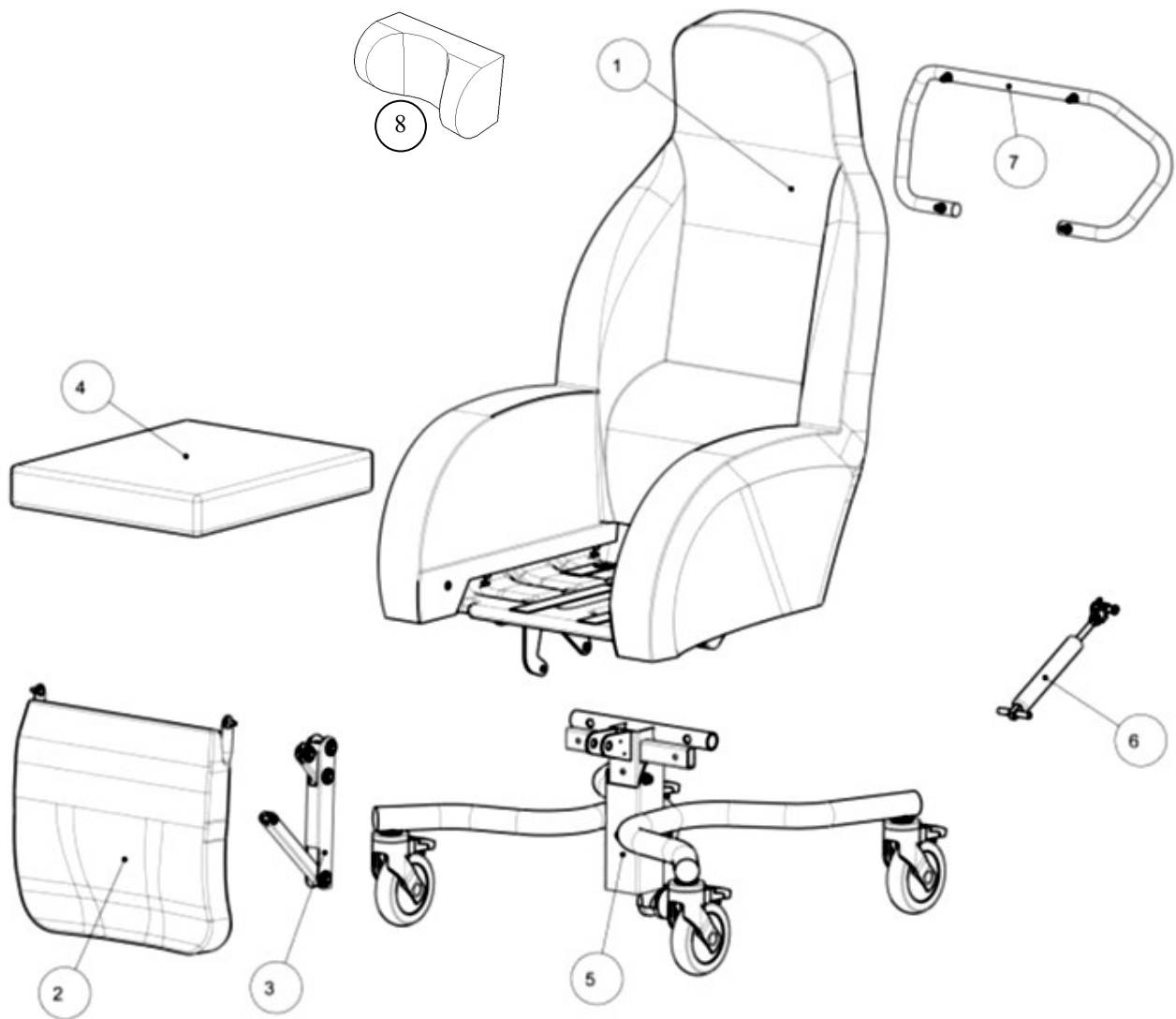


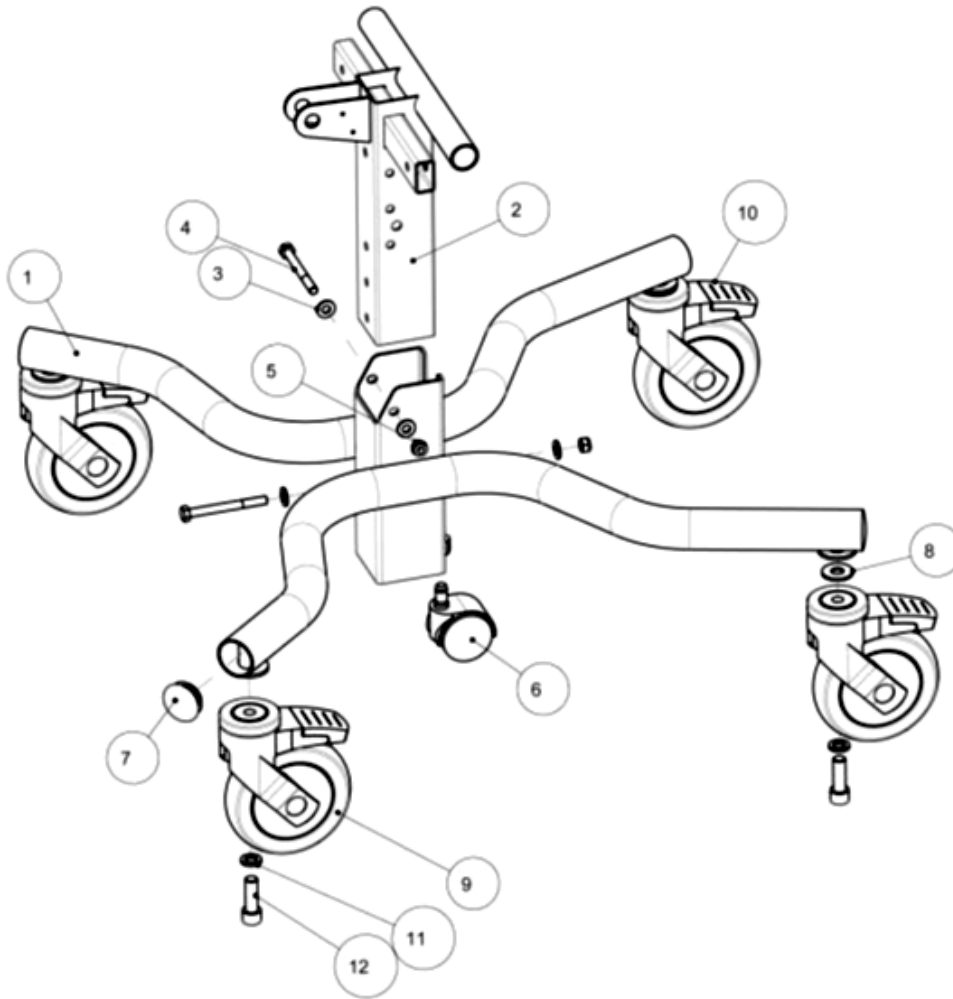
# Spare Parts Integra Shell seat

SHELLINT16BE  
SHELLINT18BE  
SHELLINT20BE

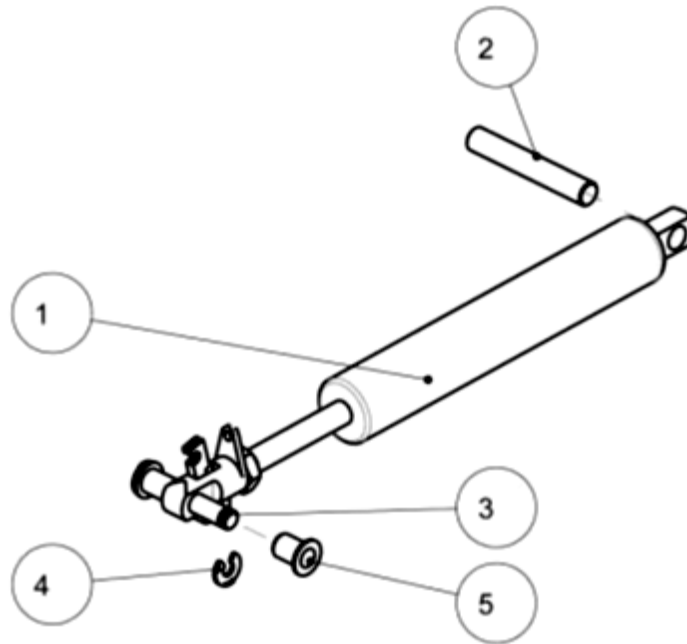




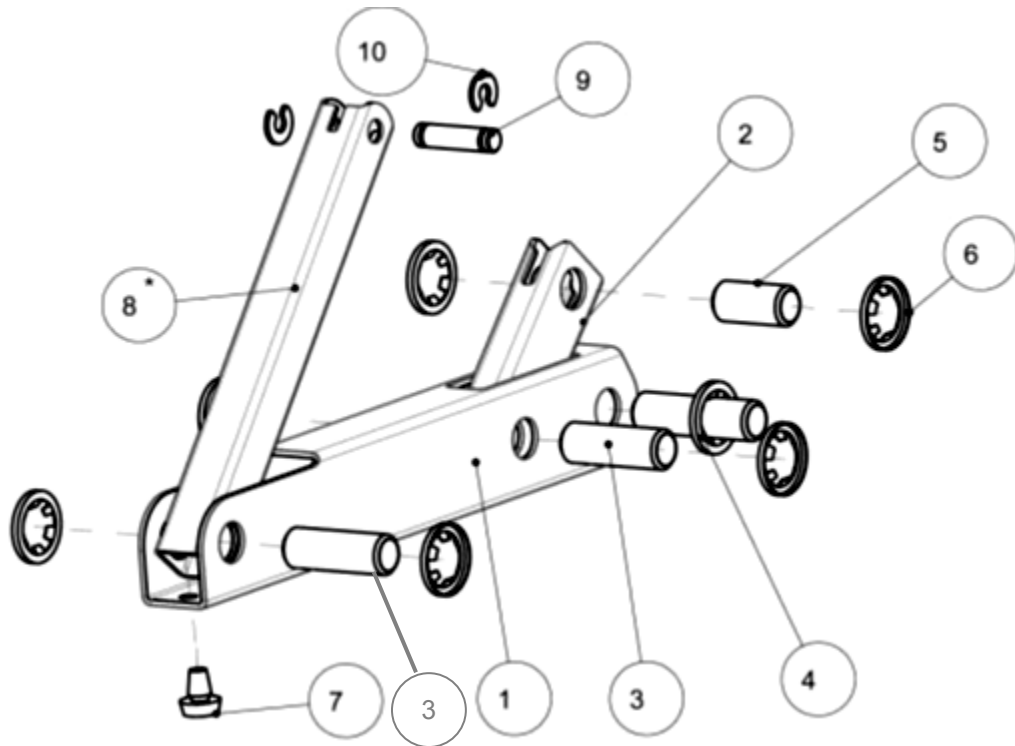
ITEM NO	DESCRIPTION	PART No
1	STANDARD SHELL complete with foam and cover (Special order only)	M20822600
	FULL COVER Vinyl/Dartek 16"	M20824600
	FULL COVER Vinyl/Dartek 18"	M20824601
	FULL COVER Vinyl/Dartek 20"	M20824602
2	LEG REST 16"	M20823000
	LEG REST 18"	M20823001
	LEG REST 20"	M20823002
3	STANDARD SEAT ASSIST SYSTEM	M20823100
4	SEAT COVER ONLY (FOAM ONLY) 39 x 46 x 7cm	M30834000 (STMNKS)
	SEAT COVER ONLY (FOAM ONLY) 46 x 46 x 7cm	M30834001 (STMNKM)
	SEAT COVER ONLY (FOAM ONLY) 51 x 46 x 7cm	M30834002 (STMNKL)
5	BASE SECTION	M20824200
6	GAS SPRING ASSIST	M20823700
7	PUSHING HANDLE	M20823600
8	HEAD SUPPORT CUSHION 16"	M30832500
	HEAD SUPPORT CUSHION 18"	M30832501
	HEAD SUPPORT CUSHION 20"	M30832502



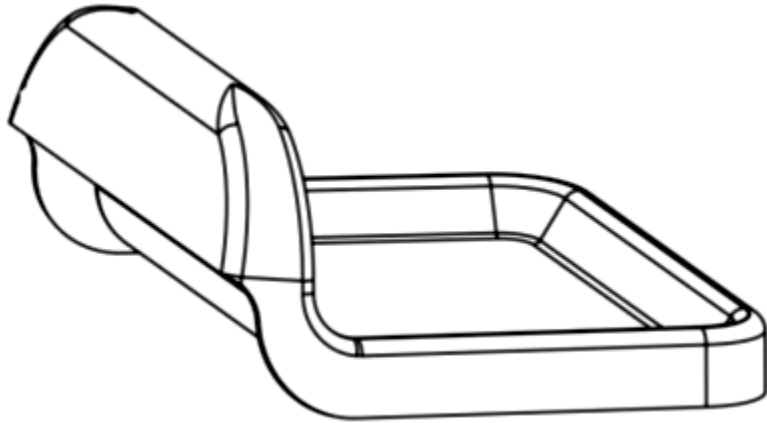
ITEM NO	DESCRIPTION	PART NUMBER
1—12	SHELL INTEGRAL BASE COMPLETE	M20824200
1	SHELL INTEGRAL BASE FRAME	M30834500
2	ADJUSTER POST	M30831800
3	WASHER M8 ZN BLC	M50800700
4	BOLT M8X80-25 ZN BLC	M50281000
5	NUT NYLOC M8 ZN BLC	M50650200
6	DOUBLE CASTOR D50 BLACK	M52020900
7	TUBE END CTX30 BLACK	M51321100
8	WASHER 12 ZN	M50830800
9	CASTOR BRAKED D125X32	M52009500
10	CASTOR BRAKED DIRECTIONAL D125X32	M52009600
11	WASHER SERRATED 12 ZNBLC	M50830700
12	BOLT SOCKET HEAD M12-35 ZN Blanc	M50121100



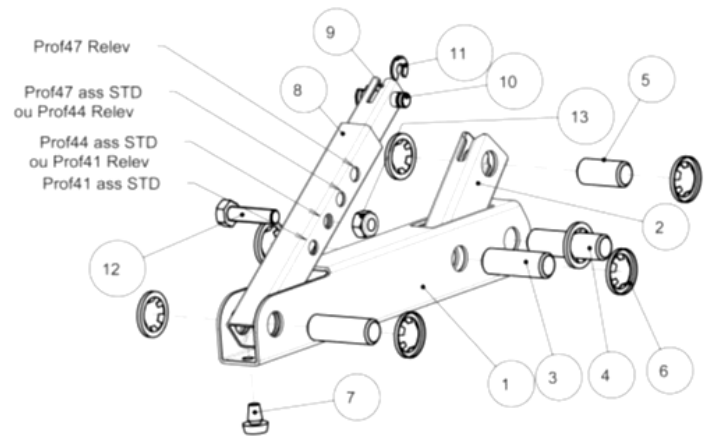
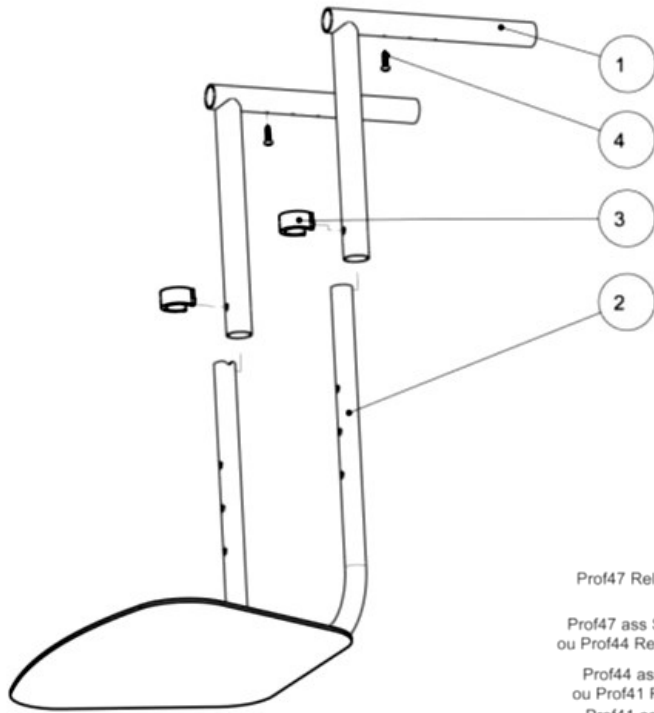
ITEM No	DESCRIPTION	PART NUMBER
1 - 5	GAS ASSIST STRUT COMPLETE	M20823700
3 - 5	GAS ASSIST STRUT FITTING KIT	M30830200
6	HAND LEVER	M51109800
7	OPERATING CABLE	M40836200



ITEM NO	DESCRIPTION	PART NUMBER
1 - 10	FOOT REST ACTUATION ASSEMBLY	M20823100
1	FOOTREST ACT MAIN TUBE	M40844900
2	FOOTREST ACT LINK TUBE 20*20MM	M40832200
3	PIVOT TUBE 42*14	M40834000
4	PIVOT TUBE 50*14	M40834100
5	PIVOT TUBE 30*15	M40833900
6	STAR LOCK WASHER D14	M51202000
7	BLACK RUBBER STOP PAD	M51318100
8	FOOTREST BOX TUBE 160	M40854500
	FOOTREST BOX TUBE 179	M40854600
	FOOTREST BOX TUBE 195	M40854700
9	PIVOT PIN	M40581800
10	'C' CLIP D7 A 11	M51310500



ITEM No	DESCRIPTION	PART NUMBER
1	TABLE SUPPORT	M20819801



ITEM No	DESCRIPTION	PART NUMBER
1 - 4	FOOTREST ASSEMBLY	M20823500
3	'E' CLIP D7/8"-1" GRIS	M51318200
1 -12	FOOT PLATE /REST ADAPTION ASSEMBLY	M20823400